

OPERATING AND INSTALLATION INSTRUCTIONS

SCAN-LINE GREEN 300



www.heta.dk



EN

DANISH DESIGN . DANISH QUALITY . DANISH PRODUCTION



Declaration of Performance EN

Regulation No. 305/2011
DOP-Green 300 2330

1. Unique identification code of product-type	Pellet Stove
2. Product name	Green 300
3. Usage prévu du produit par rapport à l'homologation actuel	Room heating appliance, fueled by pellets without hot water supply
4. Raison sociale et adresse du fabricant	Heta A/S, Jupitervej 22, DK-7620 Lemvig. heta@heta.dk
5. Raison sociale et adresse du revendeur	Fabrikschef Martin Bach, E-mail: martin.bach@heta.dk
6. Système d'évaluation et de vérification selon AVPC	System 3
7. Notified body relevant to the assessment and verification of constancy of performance	Teknologisk Institut, DK-8000 Aarhus Notified body No. 1235 Rapport nr. 300-ELAB-2330-EN

8. Declared Performance

Harmonized technical specification	EN 14785:2006 Nominal load	EN 14785:2006 Nominal low load
Emission	CO 0,01% / 133 Mg/Nm ³ Nox 161 mg/Nm ³ Dust 19 mg/Nm ³ Dust (NS3058/3059) --- g/kg OGC (CEN/TS 15883) 6 mgC/Nm ³ - 13% O ₂ Energy consumption 33 W/h	CO 0,02% / 279 Mg/Nm ³ Nox 145 mg/Nm ³ Dust --- mg/Nm ³ Dust (NS3058/3059) --- g/kg OGC (CEN/TS 15883) 14 mgC/Nm ³ - 13% O ₂ Energy consumption 11 W/h

Fire safety

Reaction to fire	A1
Testing of fire safety in connection with burning of wood pellets	Approved
Distance to combustible materials	Minimum distances in mm
Rear	50
Sides distance to combustible materials	75
Distance to floor from lower edge of the door	---
Furniture distance	700

Safety

Mechanical resistance (to carry a chimney / flue)	Pas testé (NPD)
Electrical safety	Pass
Surface temperature	Pass
Cleanability	Pass

Thermal output

Nominal heat output	2,4-6 kW
Room heat output	2,4-6 kW
Energy efficiency	η 97%-94%
Fluegas temperature at nominal heat output	T 35°C-76°C
Water heating output	NA
Maximum water operating pressure	NA

9.

The performance of the product identified in points 1 and 2 is in conformity with the declared performance in point 8. This declaration of performance is issued under the sole responsibility of the manufacturer.

Signed on behalf the manufacturer of

01.07.2019

Heta A/s
 JUPITERVEJ 22 - DK-7620 LEMVIG
 Tlf. +45 9663 0600 - Fax +45 9663 0616
 Martin Bach

In case of any change of the above-mentioned production type this Declaration of Performance becomes invalid.
 Heta A/S, Jupitervej 22, DK-7620 Lemvig, Tlf. +45 9663 0600, www.heta.dk

Congratulations on your new wood stove, we are confident that you will be more than satisfied with your new Heta stove. Especially if you follow the following advice and instructions.

The Green 300 pellet stove is approved under EN 14785.

These approvals are your guarantee as a consumer that the pellet stove meets a number of specifications and requirements which confirm that the stove is made of high-quality materials, that it is economical to use, and it is not harmful to the environment.

Please read these instructions for use carefully prior to installation and operation to avoid personal injury or damage to building parts or the product itself.

Operating Instructions Contents

	Declaration of Performance	2
	Before installation.....	4-5
1.	Operating instructions.....	6
	Before using	6
	Filling of wood pellets	6
	First firing	6
	Lighting.....	6
	Manual pellet feeding	6
	Wood pellets	6
	Display.....	7
	Menu structure	7
	Menu overview	8
	Timer setting	10
	Settings	12
	Safety systems.....	12
2.	Cleaning and Service	
	Daily Cleaning	13
	Weekly cleaning	13
	Monthly cleaning.....	13
	Semi annually / Annually	13
	Vermiculitestone.....	14
	Service interval.....	14
	Cleaning interval.....	15
	Troubleshooting	16
	Chimney fire	16
	Error codes and descriptions.....	17
	Test run	18
	Stove data table EN 14785	19
	Garantee.....	19
	Wood pellets	20
3.	Installation Instructions	21

Heta A/S

Jupitervej 22,
DK-7620 Lemvig
Phone: +45 9663 0600
E-mail: heta@heta.dk

Copyright © 2014
Heta is a registered
trademark of Heta A/S

Printed in Denmark
Subject to printing errors
and changes.

05.06.2021
0037-1555 Version 1,5

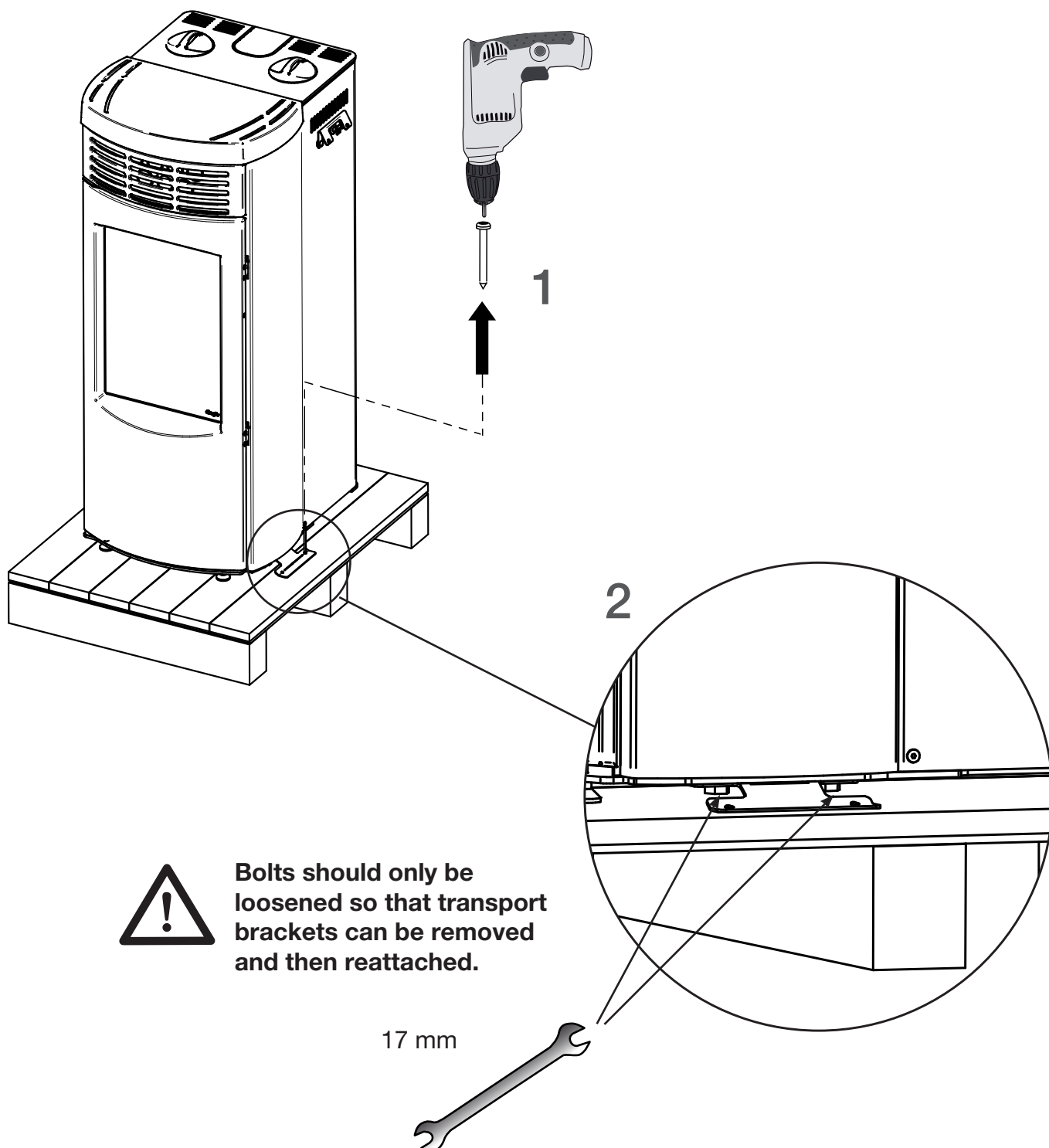
BEFORE INSTALLATION

Heta stoves are quality products, therefore, your first impression is very important! We have a good logistics network, which transports Heta products with great care for our dealers. Nevertheless, when in transport or handling, damage of the often-heavy stoves can occur. It is important that upon receipt check your Heta product completely and report any damage or defects to your dealer.


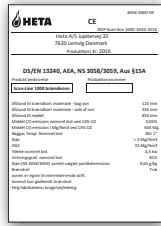
The packaging must be disposed of as follows:

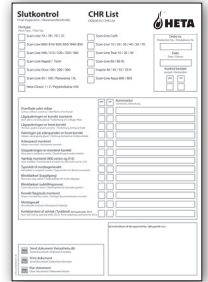
Wood is untreated and able to burn. Plastic and cardboard you can drop off at your local recycling center.

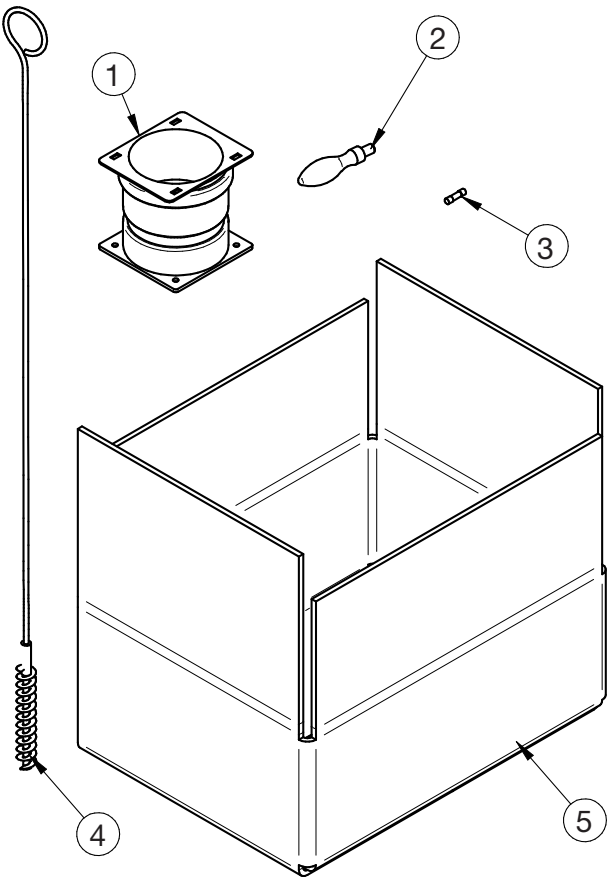
Unpacking the stove



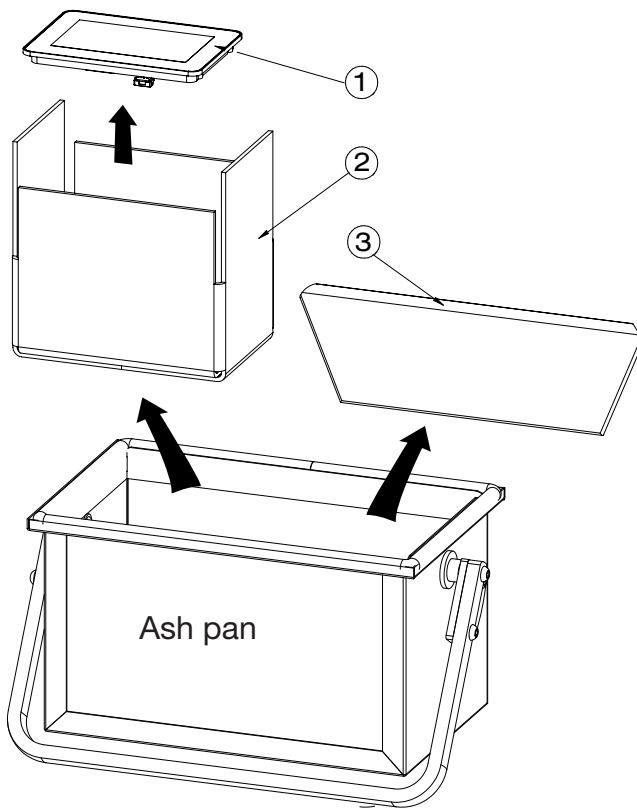
With your new wood stove you should find the following:

<p>Operating / Instruction manual</p>	
<p>Data plate</p>	

<p>Q.C. check</p>	
<p>Required tools and grease are not supplied.</p>	



1) 5032-0079	Complete flue pipe connector	1
2) 1520-0054	Handle	1
3) 0010-0408	Protection	1
4) 5020-0014	Cleaning brush	1
5) 0024-0085	Box for accessories	1



1) 0025-0222	Display	1
2) 0024-0108	Box for display	1
3) 0023-0241	Baffle plate	1

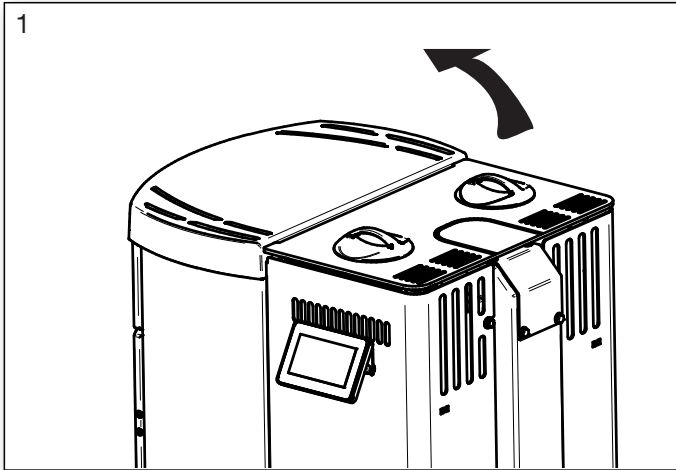
1. OPERATING INSTRUCTIONS

Before using

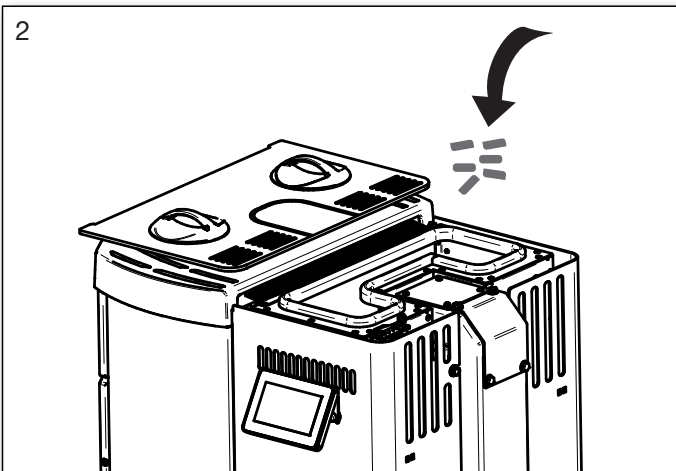
Inden pilleovnen tages i brug, skal du sikre dig, at opstillingsbetingelserne er overholdt.

Se side 21.

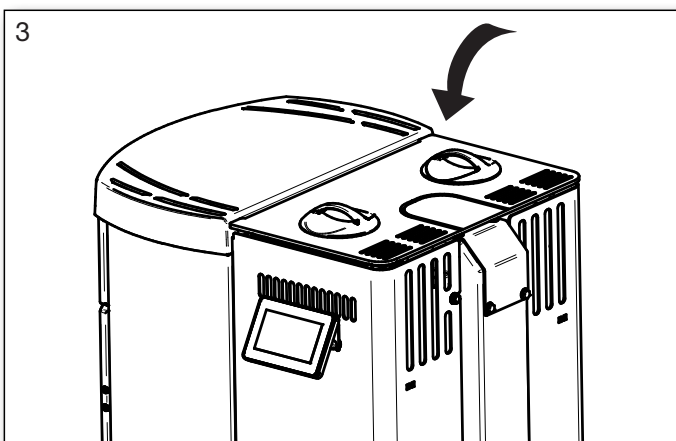
Filling of wood pellets



Open the pellet lid.



Fill the pellet tank with wood pellets.



Remember to close the pellet lid, otherwise the lid sensor will be activated and the wood pellets will not be fed through.

First firing

The stove paint is fully cured from the factory, but a minor unpleasant odour could still arise.



Lighting the stove

1. Check that the burn pot is in place in the frame. See page 13.
2. Roll out the room temperature sensor which is located on the back of the stove. Make sure that it does not come into contact with cold or hot surfaces.
3. Connect the stove to the mains using the supplied cable.
4. Set the desired settings using the display. See page 7.
5. Feed the pellets through as mentioned below.
6. Start the stove. See page 8.

Manual pellet feeding

Before starting your stove for the first time or if it has run out of wood pellets, the pellet feeder may be completely empty and therefore ignition may fail. To avoid this, on the display you can manually fill the pellet feeder before starting the stove.

Follow these steps to enable pill feeding:

Press  and then select .

Activate manual pill feed by sliding the button to the right. When the bottom of the burn pot is covered with wood pellets, the pellet feed is deactivated again and the burn pot is emptied of pellets to ensure that the ignition sequence is performed correctly.

Wood pellets

Only quality pellets with a diameter of 6-8 mm may be used as fuel. However, we recommend 6 mm for better dosing. We strongly advise against using waste or liquid fuels!



Never open the stove door while the stove is in operation. When the oven is switched on, all surfaces and glasses are extremely hot and should only be handled using the appropriate protection.

Display



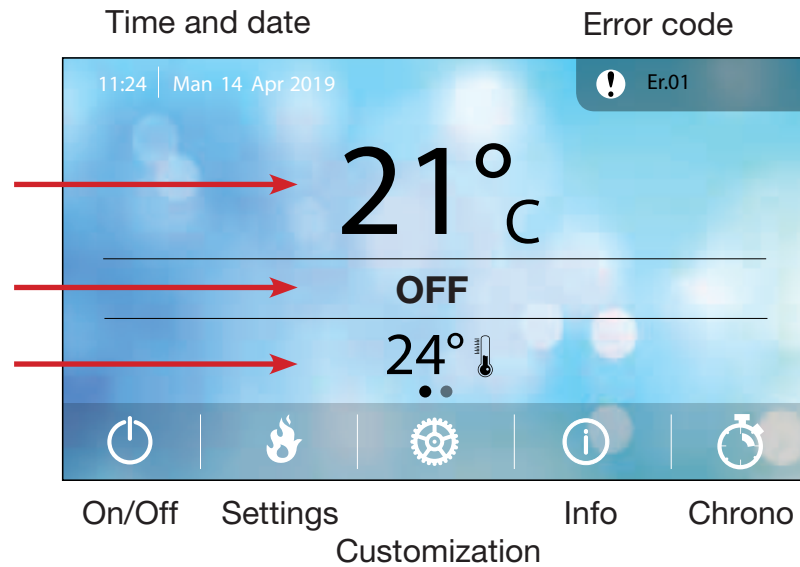
Avoid water or other liquids coming into contact with the electronics, which may be destroyed and result in technical failures or malfunction and be dangerous to life.

Transparent protective film

It is recommended that you remove the protective film before using the Display to guarantee the best performance of the sensitive (touch) surface.

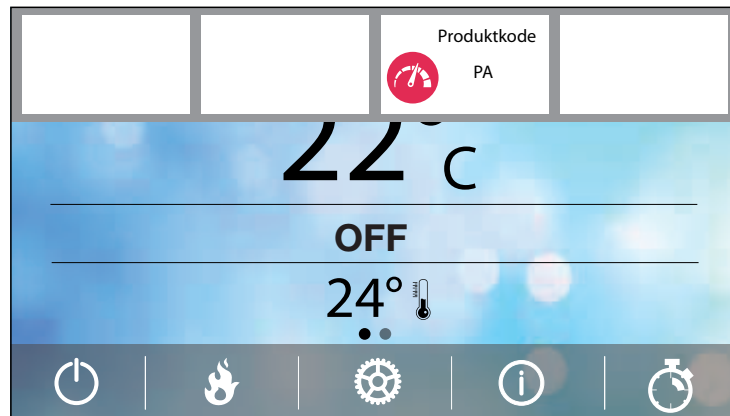
Menu structure

Main menu 1




Status

By swiping down from the top of the display, you can see the combustion state and the current combustion effect.



Menu overview

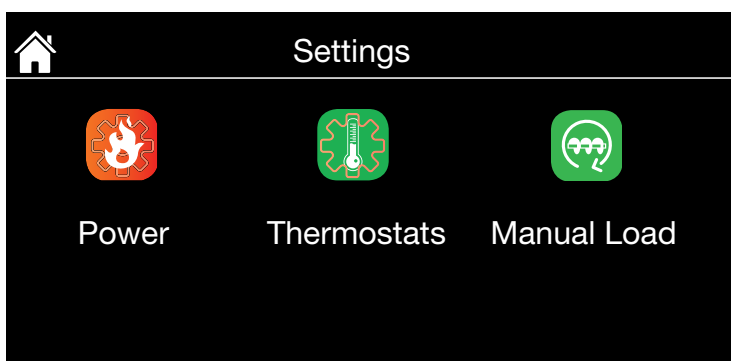
1



Slide to turn on.

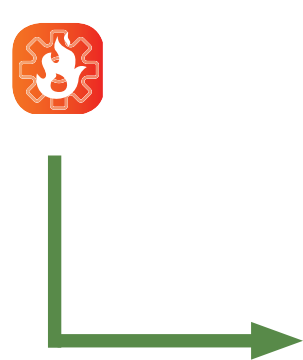


2

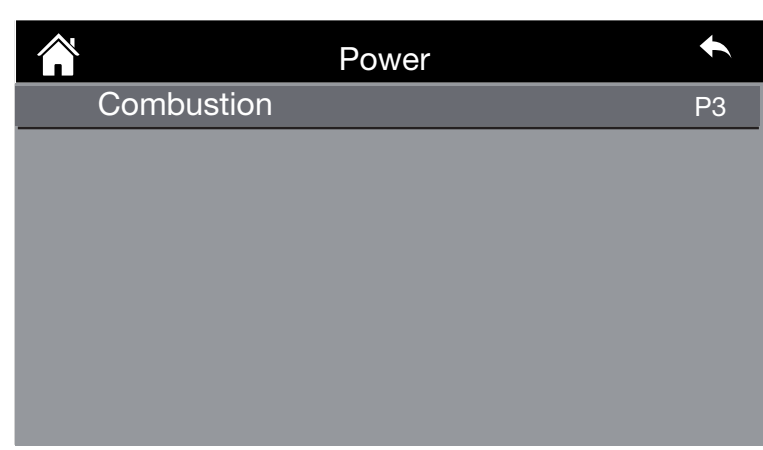


Settings

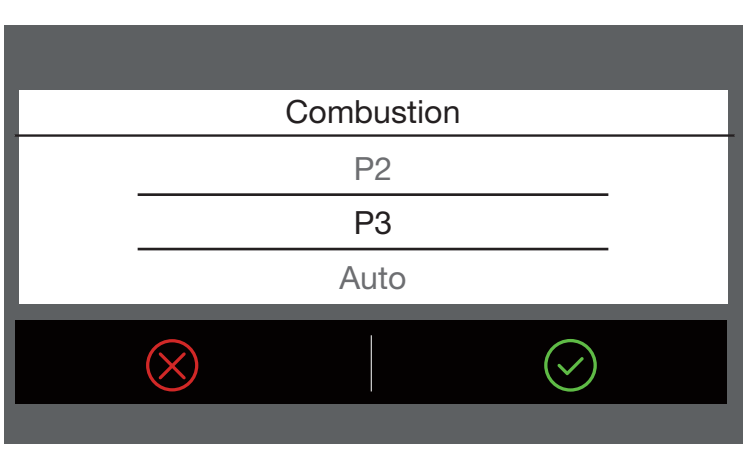
Power Thermostats Manual Load



Power



Combustion P3



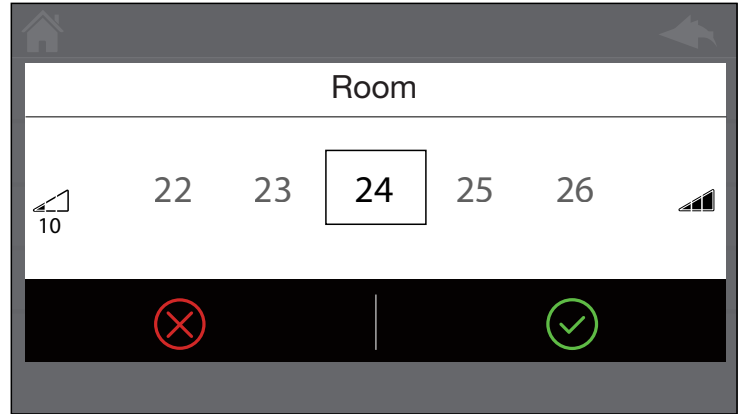
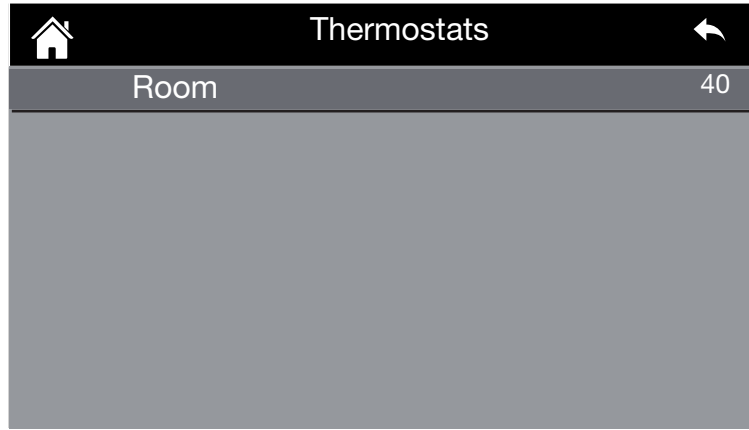
Combustion

P2

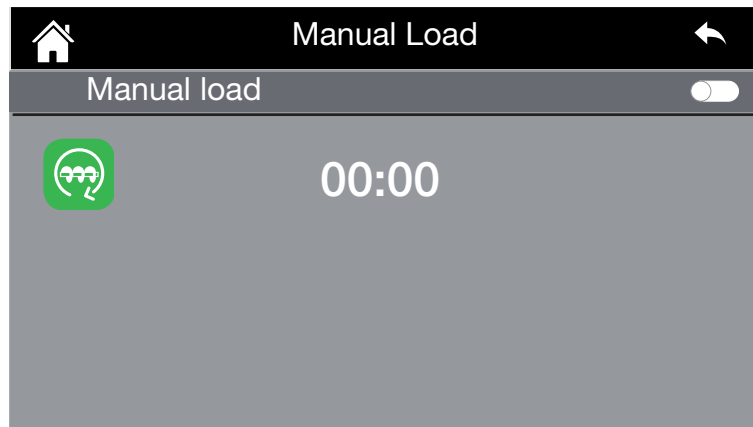
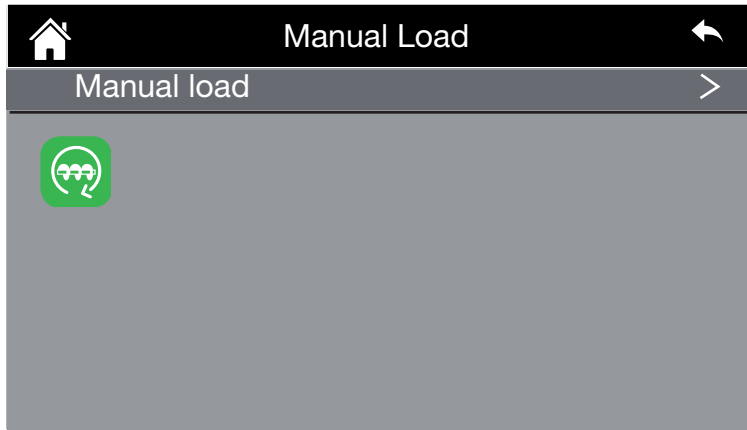
P3

Auto

3



4



5



Costumization

Settings System Menu Display Menu

Settings

- Time and Date
- Language
- Remote Control OFF
- Calibration Auger 0
- Calibration Fan 0

Display Menu

- Brightness 70
- Minimum brightness 10
- Standby display
- Control panel address 16
- Reboot control panel

6



Info Menu

Exhaust temp. 310°C	Room temp. 19°C	Air Flux 90%	Fan speed 1590 rpm
Auger 5.5 s	Worktime 59 h	Ignitions 74	Product Code 0

Timer setting



Possible menus:

Daily



In DAILY, you can change three different time settings for each day of the week.

Weekly

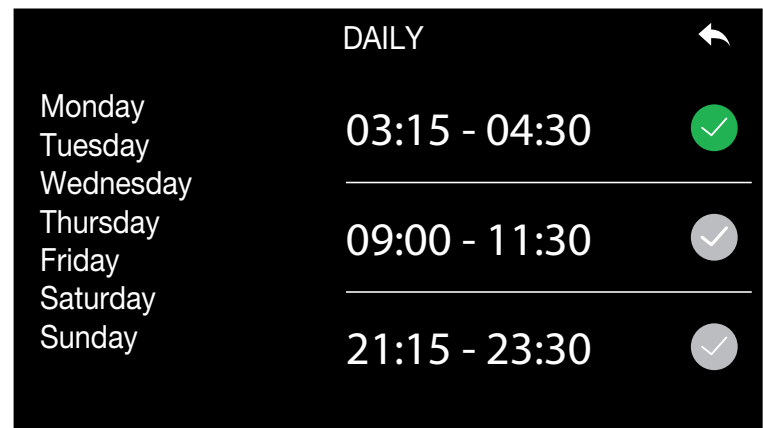
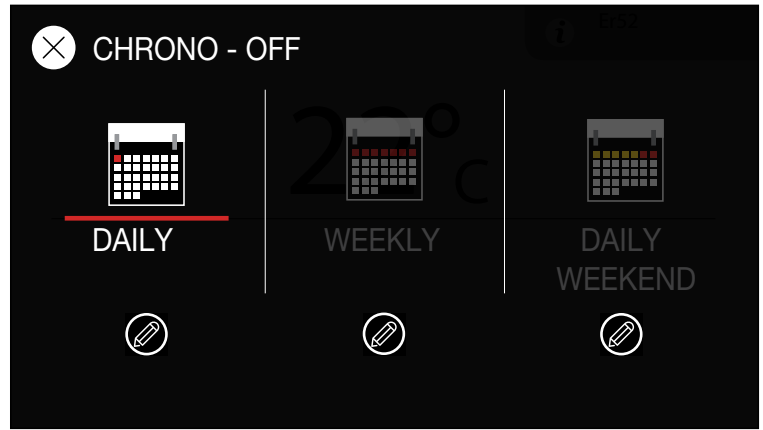
In WEEKLY, you can change three different times for all days.

Weekdays/Weekend

IN WEEKDAYS/WEEKEND you can change three different times for weekdays and other times for only Saturdays and Sundays.

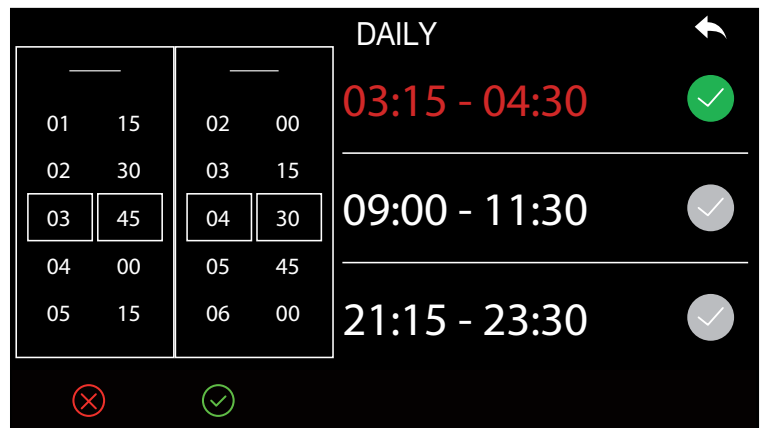
Daily

First, select the day for the desired program. Then tap one of the three possible programs.



Start/Stop

Select the start and stop time for the program.




Settings

1. Select the desired language.
2. Set the correct date and time.

Change of output/heat

On the display, you can switch between three different heat levels.

Press the icon  to access the main menu.

Press the icon  and select Combust.

Can be set to automatic or manual.

In automatic mode, the system selects the combustion effect.



In manual mode, you select the desired effect yourself.

Manually set the desired heat level from 1 to 3 or select automatic mode.


Setting the desired temperature

On the display, you can set the desired room temperature.

Press  and select  where you can change the desired room temperature.

Confirm  or cancel the change .

Switch on/off manually on the display

Press  and slide to the right on the display. This applies both to on and off and when resetting any error messages. See page 8.

Automatic with timer

On the display you can set daily, weekly and weekend sequences.

To change or set a TIMER program, press .

Then choose either daily, weekly or weekday/weekend. See example on page 11.

Safety systems

The pellet stove is equipped with advanced safety systems to prevent damage to the stove or the residential environment which could occur as a result of one of the elements breaking or through a fault in the chimney.

If irregularities occur, the pellet supply will cease immediately.

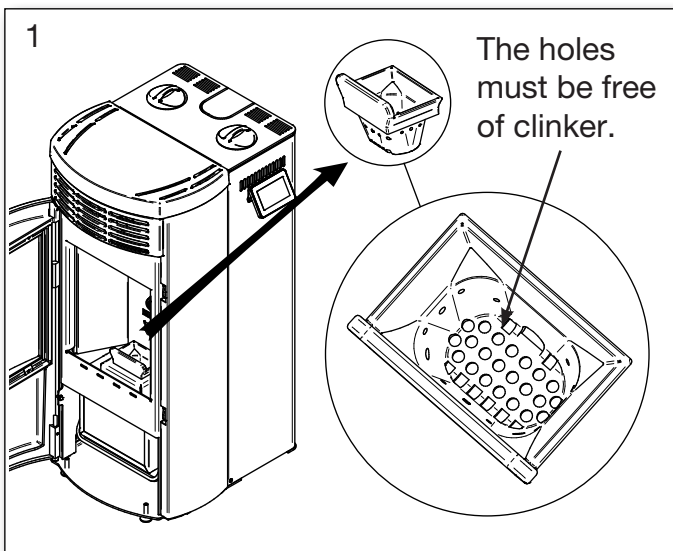
2. Cleaning and Service

Daily Cleaning

Cleaning the burn pot

A clean burn pot is essential to ensure the pellet stove operates correctly and without problems. During operation, baked on ash deposits will develop and must be regularly removed, as these impede correct combustion.

Correct daily cleaning of the stove will ensure optimal combustion, excellent performance and the avoidance of operational failures which may ultimately require assistance from a technician to return the stove to working order.



Weekly cleaning

Cleaning the ash pan

The ash pan must be emptied about once a week, depending on how often the stove is in operation and the quality of the pellets.



Note: This is done when both the stove and the ashes are cold.

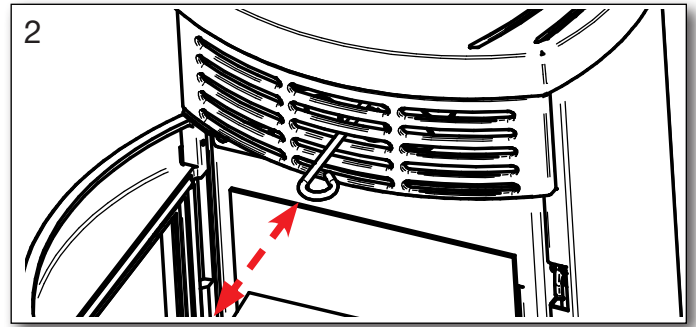
Important!

Remember to replace the ash pan again.

Cleaning the combustion chamber

The stove requires light but regular cleaning to ensure stable operation. Clean the combustion chamber every 2-3 days, for example using a vacuum cleaner. Ensure that the ash is completely cool and all embers are extinguished.

Remember to clean the convection pipes by pulling the cleaning rod. Fig. 2



Cleaning the glass

Clean the glass whenever necessary. Depending on the pellet quality and heat level used (a low heat level leads to more dirt/deposits), deposits will eventually form on the glass. These can be removed using paper or a cloth and glass cleaning agent.

Cleaning the display

The display can be cleaned gently using a dry cloth. Grease stains are removed by drying the unit with a cloth and a mild detergent.

Monthly cleaning

Glass door seal and gaskets

It is important that the glass door seal, the ash pan gasket and pellet tank cover seals tightly, as the stove requires underpressure in the combustion chamber for correct operation. The glass seals must be replaced if worn, or glued in place using ceramic glue if loose.

Ask your dealer if you need assistance

Semi annually / Annually

Emptying / Cleaning of the pellet tank

Pellet tank should be emptied and vacuumed for dust and pellet remains at least semiannually.

Internal flue pipe and chimney fan (*)

The stove's internal flue pipe must be kept free from ash and soot.

Remove the chimney fan and clean any ash or soot off the housing and blades.

Cleaning the Pressostat: (*)

The pressostat is connected to the chimney fan by a silicone hose. Clean the silicone hose if dirty using water and soap (ensure it is completely dry before reinstalling). Apply suction to the pressostat inlet and listen to hear if it clicks.

Cleaning the convection fan (*)

Check that the convection fan turns easily by turning it with your fingers. Clean off dust and any other dirt, for example using a soft brush.

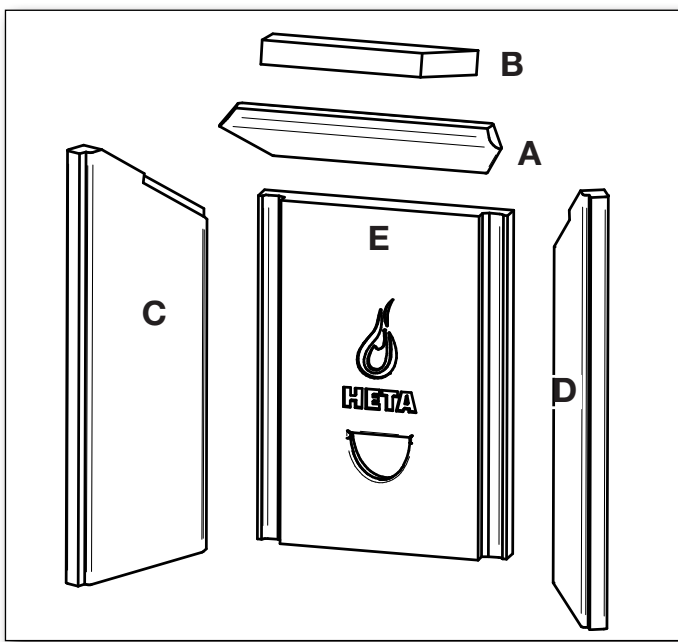
Cleaning the flue gas channel (*)

Clean the flue gas channel using the round steel brush supplied with the stove. Vacuum and clean any soot and ash from the inspection hole, which is located behind the ash pan.

Items marked (*)

should only be made by an authorized dealer, however, there may be special circumstances that cause the frequency of cleaning these components to be more frequent than indicated here if the environment where the oven is installed requires this. This can be done by the customer by agreement.

Vermiculitestone



Smoke baffles **A/B** must be removed weekly and cleaned of soot and dust particles.

The left and right side stones **C/D** and the rear stone **E** must be removed and cleaned monthly.

To remove all the stones, first remove **A**, then **C**, **D**, **E** and finally **B**.

The stones are put back in reverse order.

NOTE:



**That the vermiculite stones are a porous material and must be treated accordingly.
That the stones are not covered by the guarantee.**

Service interval

There is a built-in service counter set to 1,800 ON hours. The status of this SERVICE COUNTER can be found in the information menu.

This SERVICE COUNTER counts down from 1,800 hours. An alarm will sound when this time has expired. This alarm will continue to flash until an authorised service technician has serviced the stove and reset the service counter.

The stove can still be used in this period.

Cleaning interval

Parts / Frequency	Daily	Weekly	Monthly	Semi-/annually
Burn Pot	X			
Ash pan		X		
Combustion chamber		X		
Glass		X		
Baffle plate		X		
Lubricate ash pan (**)			X	
Vermiculitestone			X	
Seals and gaskets			X	
Pellet tank			X	X
Flue gas channel and chimney fan (*)				X
Pressure switch (*)				X
Convection fan (*)				X
Internal flue pipe (*)				X

Points marked with an asterisk (*) should only be carried out by an authorised dealer.

(**) Lubricate with grease.



If the directions and cleaning schedule in this cleaning manual are not observed the warranty will become void.

Troubleshooting

Alarms and errors

An alarm will trigger an error screen display and the problem needs to be resolved as soon as possible.

In the event of an alarm, the stove may still be partially usable. However, it will not be fully functional.

Contact a professional as soon as possible.

In the event of an error message, the error screen will continue to flash and the problem must be rectified without delay.

In the event of an error message, the stove will not function correctly. A professional **MUST** be contacted.

Most alarms and errors have a code that helps to localise the problem.

See the page for error codes.

Intro to Troubleshooting

Compared to a conventional wood-burning stove, a pellet stove features a lot more mechanical and electronic systems. As a result, a number of problems may arise that can have a negative influence on both ignition and combustion.

It is a good idea to check through these troubleshooting guidelines before calling a service technician and/or submitting a complaint.

Troubleshooting

Before ignition, check that:

- a) The iron lid in the top to the pellet tank seal tightly.
- b) The burn pot is sitting tightly against the lower section, and that there is no ash or pellet residue between the burn pot and the pipe in which it is fitted.
- c) The seal on the ash pan is intact, and that the pan closes tightly against the stove.
- d) The seal on the door to the combustion chamber is intact, and all edges of the door sit tightly against the chamber.
- e) The stove has been thoroughly cleaned as described in the cleaning section of this guide.

If there are faults in one or more of the areas mentioned above, rectify the fault and then test run the stove.

Detailed explanations of sections **a** through **3**.

Section a:

If the seal between these parts is not tight, unwanted air will be drawn through the pellet tank and into the stove. This air will not contribute to the combustion process – rather it will reduce the volume of air used for combustion. The effect on/diminishing of the combustion process will be greater the fewer pellets are left in the tank, because the air resistance through the tank falls in step with the quantity of pellets in it.

Section b:

It is important that the burn pot is correctly positioned and forms a tight seal with the stove, because the combustion air will otherwise flow around the pot. This will result in poorer combustion and diminish the effect of the cleaning function. The diminishing effect on the combustion will increase proportionately to the soiling of the burn pot.

Sections c and d:

It is essential to keep the ash pan and the seal on the door tight because even a small leak will have serious consequences on the combustion. If the ash pan is even slightly open, the stove will hardly be able to burn any fuel at all, and will quickly become dirty.

Sections 2

See page 13

Chimney fire

In case of a chimney fire.

Call the fire department.

Error codes and descriptions

Er01	STB is tripped or defective (voltage fault)
Er02	Pressure switch is tripped or defective
Er03	Shut down due to insufficient flue gas temperature
Er05	Shut down due to excessive flue gas temperature
Er07	Error on signal flue vacuum pump encoder
Er08	Encoder signal fault on flue vacuum pump
Er12	Ignition error
Er15	Power supply failure
Er16	Motherboard error messages
Er17	DP flow adjustment error
Er18	Insufficient wood pellets
Er39	DP sensor error
Er41	DP flow too low
Er42	DP flow too high
Er44	The switch on the pellet lid is activated

Service call

Service	Service counter must be reset
---------	-------------------------------

Info messages

Prob	Ignition sensor error
Door	The pellet cover is open
Block-State	The oven has stopped during ignition due to a lack of WiFi signal.
Link Error	Communication errors between display and motherboard
Cleaning ON	Periodic cleaning sequence active
---	Time flashes – Power has been disconnected

Test run

Start the stove and test all combustion levels 3, 2, and 1. During this process, it is important to check that there is sufficient combustion airflow to the stove. The sign of a successful ignition process is that the flames are pale yellow after 15 minutes of operation – the flames should also remain pale yellow if you turn the heat down. However, when adjusting to a lower level, there will be a 'conversion period' given that the airflow is reduced and fewer pellets are delivered to the stove. This process will normally last for a few minutes, when the flames may burn dark yellow or orange until optimal combustion is re-established (pale yellow flames).

Is the stove not burning cleanly?

If the stove settings are correct but the combustion produces dark flames, several factors may be having an influence. Fuel, pellet type and chimney will be the most significant factors, and the following section describes the relevant solutions.

The stove's basic settings are based on a pure, pale pellet and a chimney with a draught of 4 pascals. If a different type of pellet is used (e.g. a dark, heavier pellet) or if there is insufficient draught in the chimney, it may be necessary to increase the combustion airflow.

If this is not sufficient to achieve the combustion desired, an approved service technician/dealer can increase the airflow even more using the hidden parameters in the control programme.

If the stove receives too much air – possibly as a result of a chimney with excessive draught – it is likewise possible to reduce the airflow in the combustion process.



Too much air

Ignition failure

Burn pot fills with pellets without being ignited.

Pellets jumps like 'pop-corn'.



Too little air

Black tarry soot on the glass

Soot causes black back stone.

Big chunks of slag in the burn pot.



Right amount of air

The back stone is clean and without colouring from soot.

Burn pot is clean.

Stove data table in accordance with en 1486 testing

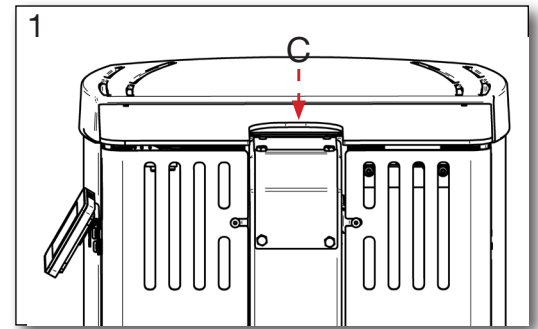
Tested as a freestanding oven and with uninsulated flue

Stove type Pellet stove	Nominal fluegas temperature C°	Flue mm	Air intake mm	Fuel volume kg	Draft min. mbar	Nominal output tested kW	Actual efficiency %	ADistance to flammable materials			Stove weight kg
								at the side mm	rear the stove mm	to furnitures mm	
Scan-Line Green 300	76	ø80	ø41	1,33	0,10	6,0	94	75	50	700	*

Average temperature in the flue pipe connector: ~ 91°C. Pos. C fig. 1

WEIGHT TABLE

* Scan-Line Green 300	144 kg
* Scan-Line Green 300, full stone	195 kg
* Scan-Line Green 300, stone top	155 kg



Guarantee

We would like to thank you for purchasing your Green 300 pellet stove. We recommend that you read:

- The instructions for installation, use and maintenance
- The warranty conditions specified below:

Heta wood-burning stoves are subjected to thorough quality inspections throughout the manufacturing process and before they leave the factory and are delivered to the dealer. The combustion chamber is therefore guaranteed against manufacturing defects for a period of five years.

Other components are guaranteed under the terms of the Danish Sale of Goods Act and carry a two-year warranty.

Garantien omfatter ikke:

Wearing parts such as:

- Fireproof stones in the combustion chamber
- Glass
- Sealant tape
- Glass rope
- Stainless steel burn pot
- Any damage arising from inappropriate installation and/or treatment of the stove and/or customer errors.
- Damage caused by incorrect use.

- Freight costs in connection with repairs under the guarantee.

- Assembly / disassembly in connection with repairs under the guarantee.

Using pellets of poor quality or pellets made of materials other than pure wood can damage stove components. As a result, the warranty is considered null and void and the manufacturer's liability is forfeited.

Transport damage is not covered by the warranty. We therefore advise you to check the stove immediately on delivery and to inform the dealer immediately if damage is discovered. The manufacturer's warranty obligations are limited to those described above, and no claims can be made on the basis of a verbal request.

**When making a claim,
please state the invoice no.**

Warning



If unauthorised changes are made to your pellet stove and parts other than original spare parts are used, the guarantee will be considered null and void.

Wood pellets

Most people do not experience problems when they fire with wood pellets. Wood pellets are easy to use and modern pellet stoves are extremely user-friendly. Normally there is little need for repeated annual inspections, and you will quickly discover that the pellet stove takes care of itself most of the time.

Should you, however, experience problems with the pellet stove, you can almost always be certain that they are due either to the settings and/or the installation of the pellet stove or the quality of the wood pellets used. Using an inferior quality wood pellet will automatically lead to greater ash production, which can have a negative impact on the efficiency of the pellet stove.

EFFECTIVE CALORIFIC VALUE OF WOOD PELLETS

When determining the quality of your wood pellet, take a look at its effective calorific value. The effective calorific value is an expression of the amount of energy that a wood pellet can deliver and is determined by the content of water and ash in the wood. The best wood pellet contains a maximum of 0.4% ash and a maximum of 7% water. At these percentages, a wood pellet delivers 4.9 kWh/kg.

WOOD PELLET CHEMISTRY

Wood pellets are basically compressed wood which, when burned, produce energy that can be used to heat your home. However, as can be seen from the above, it is important that you pay attention to the content of the various components of the wood pellet and to how it behaves under the circumstances to which it is exposed when burned.

WATER CONTENT

Water is a natural part of wood. And, as previously mentioned, the content of water directly affects the efficient calorific value. When the wood pellet is burned, water evaporation occurs. If the water content is very high, it will negatively impact the energy level, just as you risk more ash build-up inside the chimney. However, water is a necessary component of the wood pellet, as moisture helps to ensure a durable pellet and prevent dust. Choose a moisture content of 6-8% for the best result.

ASH CONTENT

When you burn wood pellets, a residue will occur in the form of ash. Here, of course, you want

to select a wood pellet that produces as little ash as possible. There is a big difference in the amount of ash wood pellets produce. The best pellets produce as little as 0.3%, while standard pellets can produce as much as 5%. Bear in mind that a high effective calorific value and a low level of water result in the least ash content.

ASH MELTING POINT

It is very important to know the ash melting point when avoiding clinker build-up in the pellet stove. Clinker is what happens when the ash from the pellets clumps together and this process can reduce the efficiency of the pellet stove. Therefore, always pay attention to the ash melting point of the pellets and choose a product where the ash melting point is above 1,200°C.

DENSITY

The density of the wood pellet depends on how hard it is pressed together. The harder the compression, the smaller the pellet, which still produces the same amount of energy.

WOOD PELLET DURABILITY IS IMPORTANT

When you buy wood pellets, you will often buy large quantities at a time. Both because it is cheaper and because you need a lot of wood pellets to meet your energy requirements. It is therefore important that you think carefully about how to store the pellets.

Pellets with poor mechanical durability break during transport and can crumble. Here you must select a wood pellet that has a strength of 97.5%. The figure here means that after transport only 2.5% of the pellets will have been destroyed.

Also bear in mind that the pellets are sensitive to the elements. They must therefore always be stored using appropriate packaging. That way you can be sure that they remain free of mice, rats or other vermin. Protect them from moisture and store them indoors if possible.

Heta A/S recommends using Premium wood pellets from Heatlets.dk to get the most out of your pellet stove.

Installation Instructions

Contents

3.	Installation instructions	22
	General information.....	22
	Placement	22
	Safety information	22
	Liability	22
	Floor	22
	The chimney connection	23
	Chimney draft.....	23
	External air supply.....	23
	Installation	23
	Distance Provisions.....	24
	Stovedrawings/measurments	25
4.	EU declaration of conformity	26



Remember

The stove and chimney installation, must comply with local regulations, including those referring to national and European standards.

3. Installation instructions

General information

The Green 300 pellet stove must only be installed in residential environments.

The stove installation must be in accordance with national, European and possibly local regulations. You must follow local regulations with regard to installation of chimney and connection to the chimney. Be aware that it is always the owner himself who has responsibility for ensuring that applicable rules are complied with.

A modern pellet stove places heavy demands on the chimney due to the high efficiency. It may be necessary to enhance or even replace an old chimney.

The stove has fully automatic control, ensuring controlled combustion. The control system manages the ignition process, three heat levels and shutdown, ensuring that the stove functions correctly.

Placement

The position of the stove within the home will have a major impact on heat distribution. Before deciding where to place the stove, it is important to consider the following:

- a) The air supply for combustion must come from a ventilated room or an open outdoor area.
- b) Installation in a bedroom is not advised.
- c) The stove must be installed in a spacious and central location in the house to ensure the best heat distribution.

Safety information

The Green 300 pellet stove must be installed by a technician who has been trained by Heta A/S.

Please read these instructions regarding use and maintenance carefully before installing and lighting the stove! If you need further information, please contact the dealer from whom you purchased the stove..

NOTE



The stove has extra protection in line with power regulations, and must have an earthed electrical connection.

Liability

By providing these instructions, Heta A/S disclaims all liability, both personal and statutory, for any accidents that may arise due to failure – either fully or in part – to observe the instructions enclosed herein.

Heta A/S disclaims all liability in relation to incorrect use of the stove, abnormal usage by the customer, unauthorised replacement and/or repair, or the use of non-original spare parts for this model.

The manufacturer disclaims all liability, both personal and statutory, direct and indirect, attributable to:

- Inadequate maintenance
- Failure to observe the instructions in this manual
- Failure to observe safety directions
- Irregular installation with failure to observe applicable standards in the destination country
- Installation carried out by unqualified or untrained personnel
- Replacement or repair not authorised by the manufacturer
- Use of non-original spare parts
- Extraordinary events



If you have any questions concerning your pellet stove, Heta strongly recommends that you contact your dealer immediately.

Floor

You must ensure that the floor can support the weight of the stove and a top-mounted steel chimney.

In front of the pellet stove, the substrate must consist of non-combustible material, for ex. Steel/glass plate, stone or tile floor. The size of the non-combustible surface must follow the applicable national and local regulations, and must protect against any impact from embers that might fall out of the stove.

Pay special attention to maintaining a distance to combustible flooring. This applies even if a steel or glass plate has been placed on the floor. It is the floor itself that must be not combustible. (Concrete, clinker tiling or similar).

Distances see data table page 24.

The chimney connection

The flue gas system is dependent on a slight underpressure in the combustion chamber and it is very important that the chimney exhausts to outside air and not to an enclosed or semi-enclosed room such as a garage, corridor, attic or anywhere else where the flue gases could become concentrated.

The chimney must always be installed in accordance with national and regional regulations.

If local regulations permit, two contained stoves can be connected to the same chimney. However, you must abide by local regulations regarding the distance between the two connections.

The stove must never be connected to a chimney that is linked to a gas fire stove.

Chimney draft

Operation of the Green 300 pellet stove is partly independent of the chimney draught, as the flue gas vacuum pump assists in removing smoke from the combustion chamber. However, if there is a strong chimney draught, we recommend a draught stabiliser be installed. Otherwise the chimney will overrun the flue vacuum pump, resulting in too much combustion. The stove operates best with a chimney draught of 20 pascals (used for testing/approval) in a chimney with a diameter of 80-150 mm

Flue gas mass flow is 5.8 g/sec.

External air supply

In hermetically closed environments with little air replacement it can be difficult to supply enough air for the combustion and it may be necessary to supply extra air to the room.

The pelletstove receives the total combustion air flow from the room where it is installed, but you have the possibility to add external combustion air flow. A sealed air intake can be connected to the stove's air intake connector.

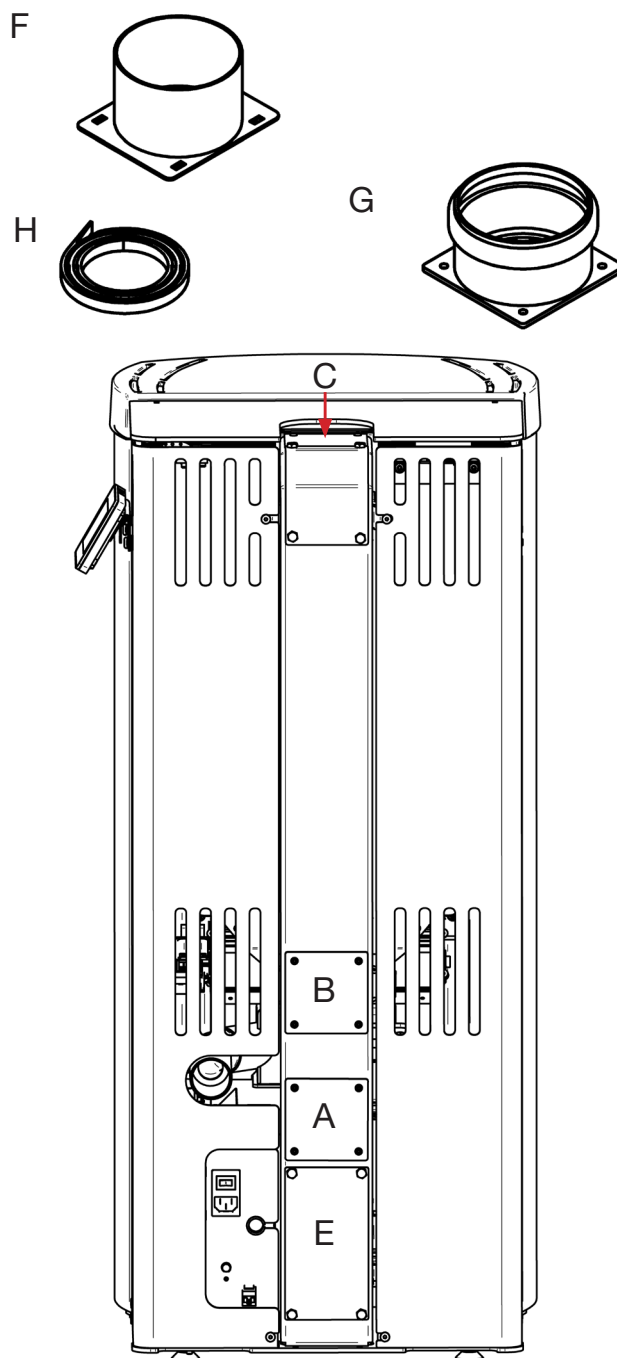
Installation

Either remove the cover **A/B/C** depending on the outlet you want to use.

Then install the packing **H** on either outlet **F/G**.

Mount the selected outlet on the free space on the chimney which is visible after the removal of either **A/B/C**.

Cover **D/E** is for the cleaning of the chimney.



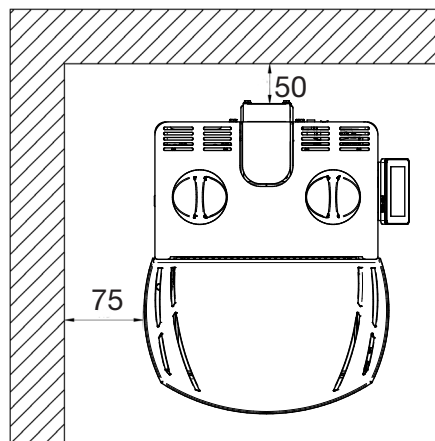
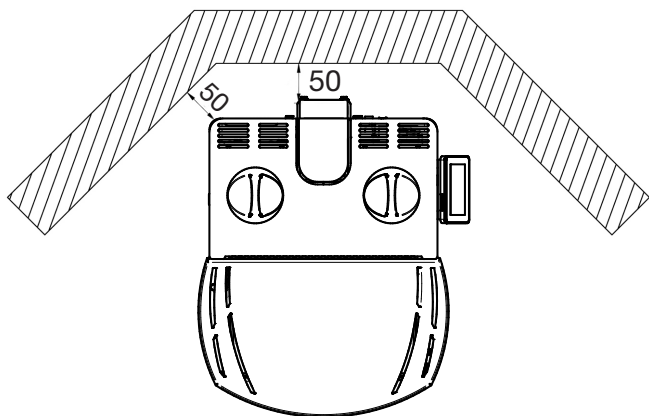
Distance Provisions

There is a difference between installation next to flammable wall or non-flammable wall. If the wall is made of non-flammable material, the stove in principle may be placed flush against it.

We recommend a minimum of 5 cm to facilitate air circulation around the stove.

If in doubt, contact your chimney sweep for advice and guidance.

Distance to combustible

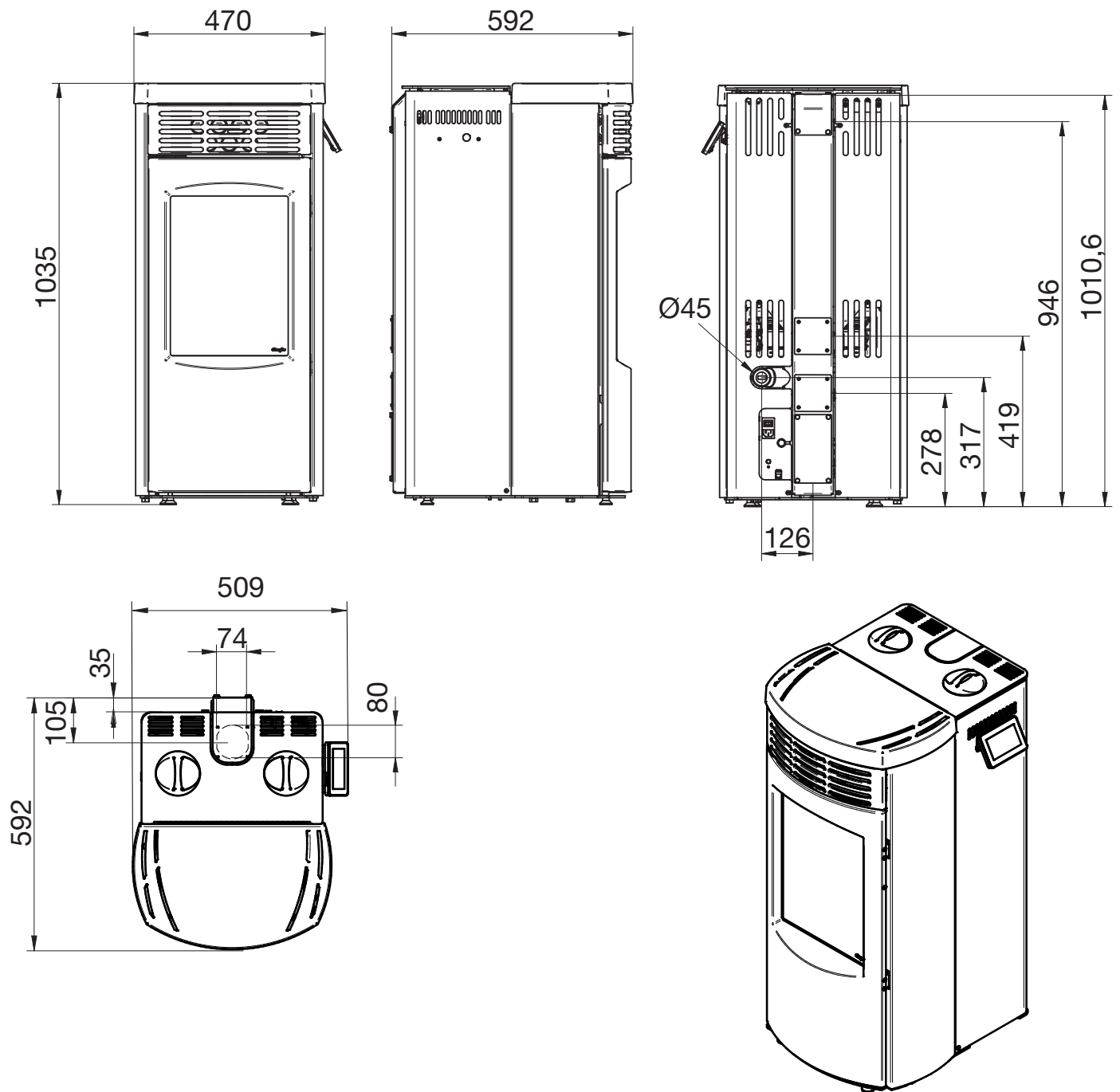


The dimensions are the minimum dimensions, unless otherwise stated.

Oventype Pellet stove	Distance from oven to combustible material		
	A Rear the stove	B At the side	D To furnitures
Minimum dimensions in mm			
Green 300	50	75	700

Do not place combustible materials in the radiation zone.

Stovedrawings/measurments



5. EU declaration of conformity



06.06.2019

EU OVERENSSTEMMELSESERKLÆRING

Undertegnede, der repræsenterer følgende fabrikant

Fabrikant: Heta A/S
Adresse: Jupitervej 22 7620 Lemvig, Dk.

Erklærer hermed at produktet

Produktidentifikation: Green 300. Produktnummer. 8204-00xx. Rumopvarmer med fjernbetjening. Fyret med træpiller, og beregnet for bolig. Handelsbetegnelse: Green 300

Er i overensstemmelse med bestemmelserne i følgende EU direktiv(er) (inklusive alle gældende tillæg)

Reference nr.	Titel
89/106/EØF	Byggevaredirektiv
2006/42/EF	Maskindirektiv
2006/95/EF	Lavspændingsdirektiv
2004/108/EF	Emc-direktiv

Referencer til standarder og/eller tekniske specifikationer som er anvendt til denne overensstemmelseserklæring, eller dele deraf:

Harmoniserede standarder:

Nr.	Udgave	Titel
DS/EN 14785	1	Rumopvarmere til boliger fyret med træpiller
DS/EN 60335-1/A11	3	Elektriske apparater til husholdningsbrug
DS/EN 60335-2-102	1	Særlige bestemmelser for. Gas olie og fast brændstofforbrugende apparater
DS/EN 61000-6-3		EMC. Emission, boliger

Andre standarder og/eller tekniske specifikationer:

NR.	Titel
DIN/EN 14785	Din plus certificeringsprogram Nach DIN/EN 14785

Oven er testet og godkendt, hos det akkrediterede prøvningsinstitut.

Teknologisk institut
Kongsvang Allé 29
8000 Århus C
Rapport Nr. 300-ELAB-2330-EN

Heta A/S. D. 06/06-2019


Heta A/s
JUPITERVEJ 22 · DK-7620 LEMVIG
TLF. +45 9663 0600 · FAX +45 9663 0616
Martin Bach

Heta A/S
Jupitervej 22
DK-7620 Lemvig
Danmark

Tlf. +45 96 63 06 00
Fax. +45 96 63 06 16
www.heta.dk
E-mail:heta@heta.dk

